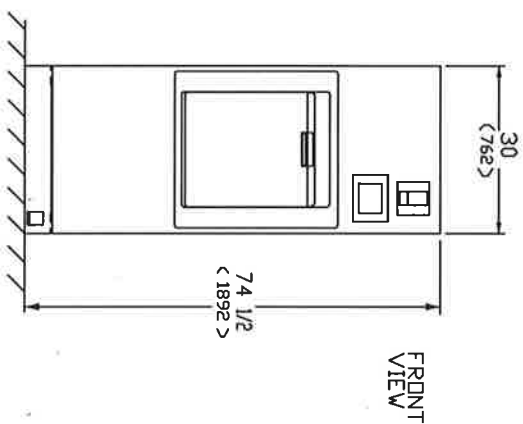
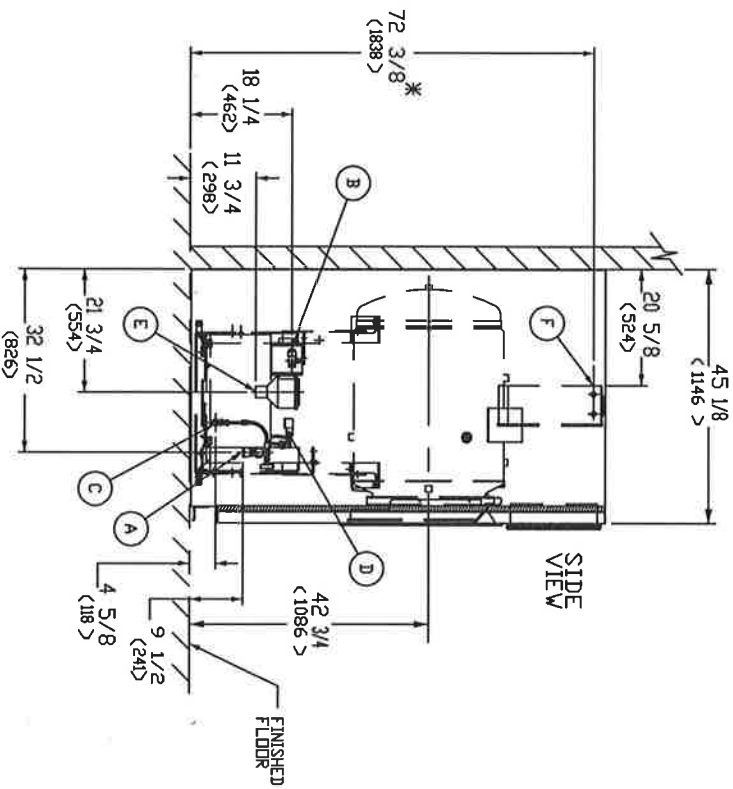


CHAMBER SIZE IN. (mm)
(20 X 20 X 38) (508 X 508 X 965)
MAX. OUTSIDE DIM. OF STERILIZER
45 1/8 X 30 X 74 1/2 (1146 X 762 X 1891)



* TD CENTERLINE OF 7/8 KNOCKOUT ON CONTROL BOX.

ALL DIMENSIONS ARE IN INCHES XXXXXXXXXXXXXXXXXXXX XXXXXXXXXXXXXXXXXXXX XXXXXXXXXXXXXXXXXXXX	LAB 250 SERIES STERILIZER 20X20X38(508X508X965) VACUUMATIC OR GRAVITY SINGLE DOOR CABINET ELECTRIC STEAM HEAT	EQUIPMENT DRAWING NO. 387355-981
STERIS STERIS Corporation Mentor, OH		ITEM LOCATIONS

SHT. 1 OF 3

NOTES:

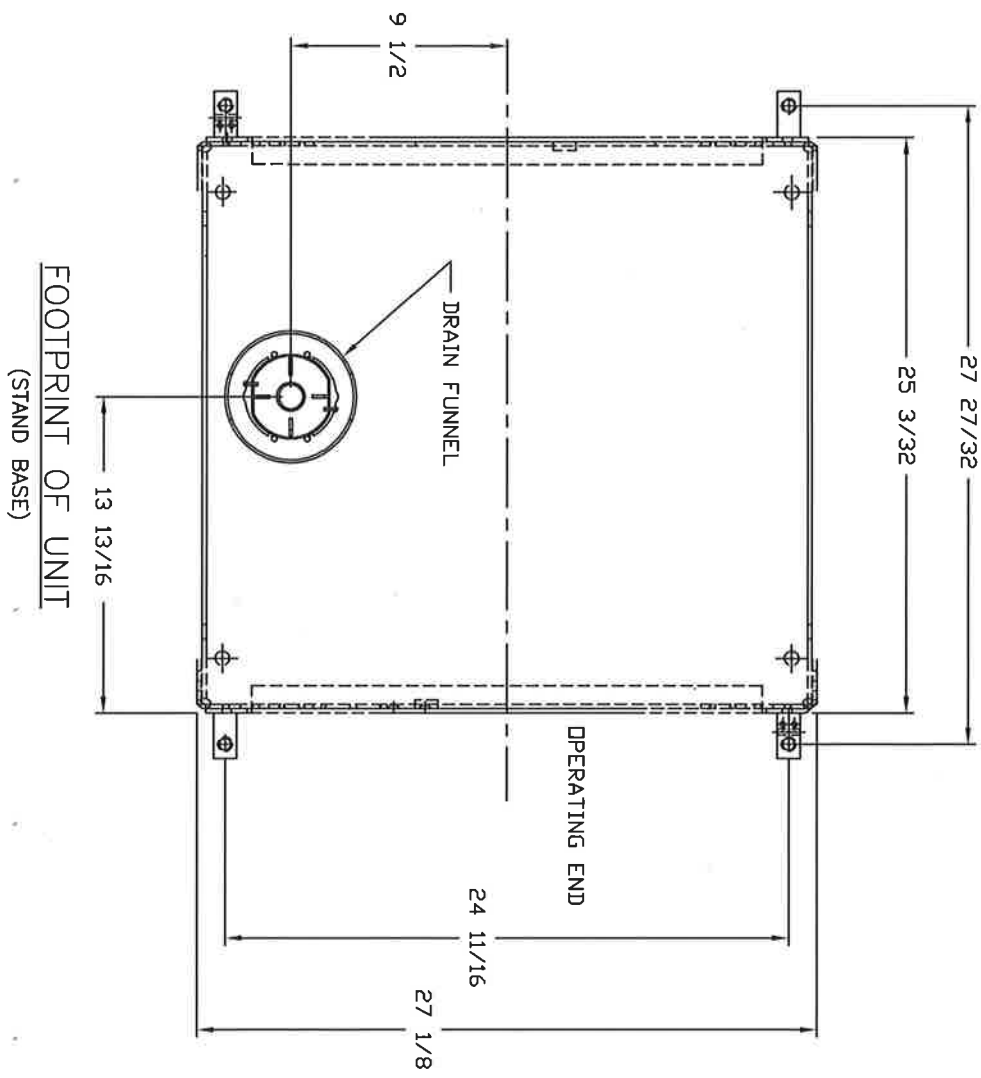
1. FOR GENERAL INSTALLATION INFORMATION SEE STERIS DRAWING NO. 62941-091. THIS DWG. SHOULD ALWAYS ACCOMPANY THE EQUIPMENT DWGS. IF DWG. IS NOT ATTACHED, CONTACT STERIS SERVICE ENGINEERING AT 1-800-333-8848 TO OBTAIN A COPY.
2. IF LOADING CAR AND CARRIAGE ARE TO BE USED, FRONT CLEARANCE SHOULD EQUAL TWICE THE LENGTH OF THE STERILIZER.
3. APPROX. SHIPPING WEIGHT IS 1240 LBS. (562 KG.) BASED ON MAX. OPERATING WEIGHT IS 1371 LBS. (622 KG.) BASED ON CHAMBER FULLY LOADED WITH WATER FLASKS.
4. LEVELING FEET ARE PROVIDED FOR PROPER INSTALLATION.
5. THE TIE-DOWN OF THIS STERILIZER HAS BEEN PRE-APPROVED IN CALIFORNIA (REF. R-0275). SEE STERIS DWG. NO. 83280-194 FOR SEISMIC LOADING AND TIE-DOWN SPECIFICATIONS.
6. FOR SEISMIC INSTALLATIONS: A SEISMIC ADD ON KIT (REF. 146660-184) MUST BE INSTALLED ON THE STERILIZER.
7. FOR RECOMMENDED FEED WATER QUALITY FOR STERILIZERS AND CARBON STEEL STEAM GENERATORS, SEE STERIS DWG. NO. 62941-091.
8. STERIS ASSUMES NO RESPONSIBILITY FOR CHANGES MADE NECESSARY THROUGH FAILURE TO OBSERVE THESE SPECIFICATIONS ON EQUIPMENT DRAWING AND NOTE PAGES. SPECIFICATIONS AND DESCRIPTIONS ARE SUBJECT TO CHANGE WITHOUT NOTICE.
9. THE STERILIZER IS NOT SUPPLIED WITH A VACUUM BREAKER OR BACKFLOW PREVENTER AND WHERE REQUIRED BY LOCAL CODES, INSTALLATION OF SUCH A DEVICE IN WATER LINE IS BY OTHERS.

OPERATING REQUIREMENTS:

- (A) COLD WATER SUPPLY TEMPERATURE REQUIREMENTS ARE 50-70°F (10-21°C). VACUUM EFFICIENCY IS REDUCED AT WATER TEMPERATURES ABOVE 70°F (21°C).
1" NPT:
30-50 DYNAMIC PSIG (206.8-344.7 KPA)
CONSUMPTION: PEAK 6 GPM, PER CYCLE 140 GAL, IDLE 10 GPH.
- (B) HOT WATER SUPPLY TEMPERATURE REQUIREMENTS ARE = < 140°F. WATER RESISTIVITY NOT TO EXCEED 26000 OHMS/CM. TOTAL HARDNESS TO BE 0-3 PPM (CaCO₃)
1/2" NPT:
20-50 DYNAMIC PSIG (137.9-344.7 KPA)
CONSUMPTION: PEAK 1 GPM, PER CYCLE 4 GAL, IDLE 1 GPH.
- (C) DRAIN FROM ELECTRIC STEAM GENERATOR, 1/2" ODT.
- (D) TERMINAL BOX FOR: ELECTRIC SERVICE FOR GENERATOR 30kW HEATERS:
208 VDLT, 3 PHASE, 50/60 HZ, 83.2 AMPS PER PHASE.
240 VDLT, 3 PHASE, 50/60 HZ, 72.2 AMPS PER PHASE.
480 VDLT, 3 PHASE, 50/60 HZ, 37 AMPS PER PHASE.
- (E) 600 VDLT, 3 PHASE, 50/60HZ, 29 AMPS PER PHASE.
- (F) 1 1/2" ODT DRAIN TERMINAL. (FLOOR DRAIN CAPACITY MUST HANDLE PEAK WATER CONSUMPTION).
CONTROL BOX FOR: 120V, 50/60 HZ, 9.5 AMPS SINGLE PHASE SERVICE. SUPPLY WIRING TO BE RATED FOR A 20 AMP SERVICE, AND ROUTED IN CONDUIT RECOMMENDED DISCONNECT: A-B 194RKJ030P3E
RECOMMENDED FUSE: GOULD AUT20, 600V CLASS J TD FUSE 20 AMP
RECOMMENDED WIRE: 12 GAUGE 600V
WIRE SHOULD BE IN A SEAL-TITE ENCLOSURE

NOTE: MDUNT DISCONNECT IN SERVICE AREA PER ANY LOCAL CODE REQUIREMENT

ALL DIMENSIONS ARE IN INCHES MILLIMETERS		LAB 250 SERIES STERILIZER 20X20X38(508X508X965) VACAMATIC OR GRAVITY SINGLE DOOR ELECTRIC STEAM HEAT		EQUIPMENT DRAWING NO. 387355-981	
STERIS		STERIS Corporation Mentor, OH		ITEM _____ LOCATIONS _____	



FOOTPRINT OF UNIT
(STAND BASE)

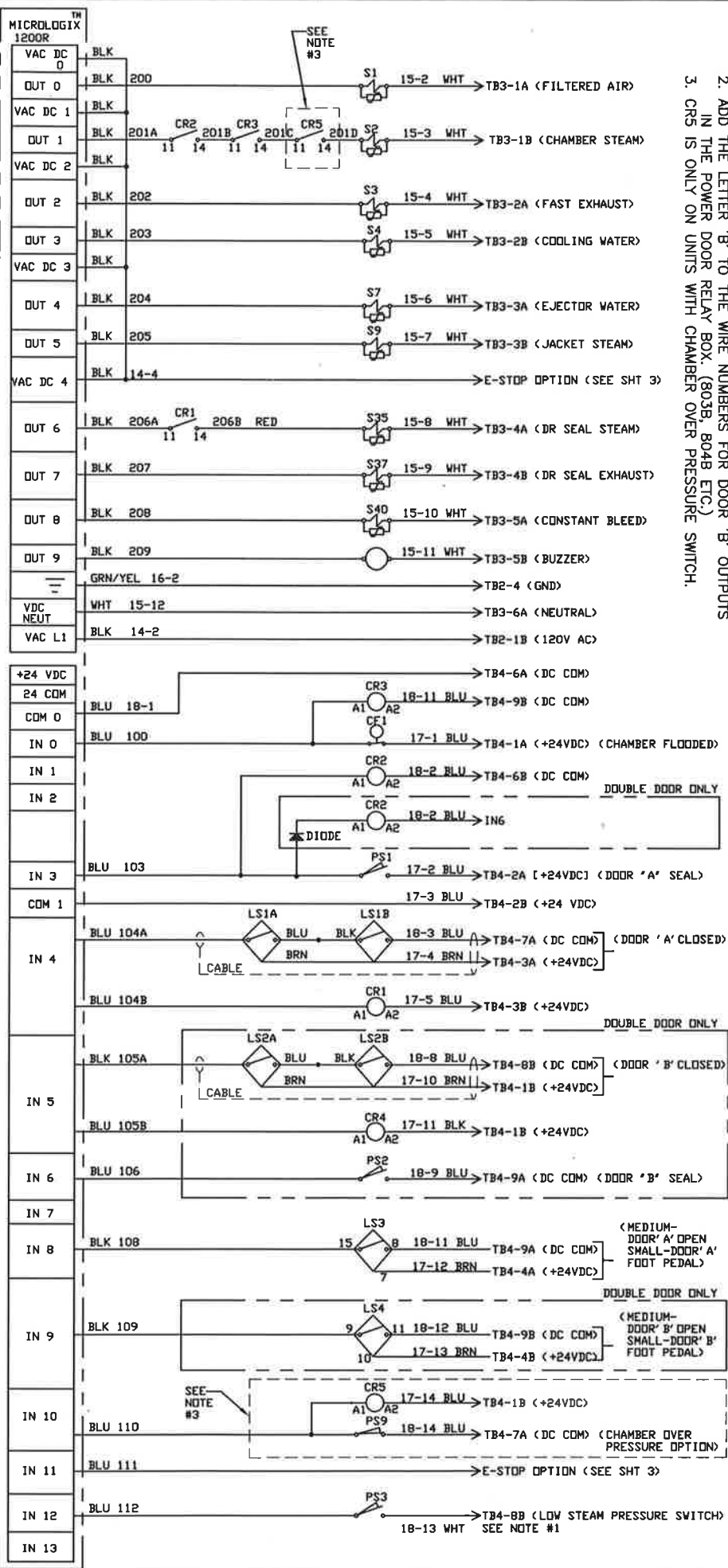
TOTAL MAXIMUM OPERATING WEIGHT OF UNIT = 1371 LBS
(BASED ON CHAMBER FULLY LOADED WITH WATER FLASKS)

ALL DIMENSIONS ARE IN INCHES (MILLIMETERS)		LAB 250 SERIES STERILIZER		EQUIPMENT DRAWING NO.	
XXXXXXXXXXXXXXXXXXXX		20X20X38(508X508X965)		387355-981	
XXXXXXXXXXXXXXXXXXXX		VACUUMATIC OR GRAVITY		ITEM	
STERIS		SINGLE DOOR		LOCATIONS	
STERIS Corporation Meriden, CT		ELECTRIC STEAM HEAT			

SHT. 3 OF 3

QUANTITY	PART NUMBER	ITEM NO.	PART NAME	DESCRIPTION, MATERIAL	REV NO.	EXTENSION
1	338525-237	1	SCHEMATIC		3	07-29-10

- NOTES:
1. PSS & S47 DBL DOOR UNITS WITH COMPRESSED AIR TO SEALS ONLY.
 2. ADD THE LETTER 'B' TO THE WIRE NUMBERS FOR DOOR 'B' OUTPUTS.
 3. CR5 IS ONLY ON UNITS WITH CHAMBER OVER PRESSURE SWITCH.



TOLERANCE STANDARD: FRACTIONAL +/-1/64 DECIMAL +/- .005
 UNLESS OTHERWISE NOTED ANGULARITY +/-1° MACH SURF. 125

NO.	DATE	EXTENSION	REV.	DATE	EXTENSION
3	07-29-10		1	100181	
2	02-26-10		1	100057	
1	11-12-08		1	080147	
0	09-12-08		1	4007974-1	

STERIS
STERIS Corporation
Mentor, OH

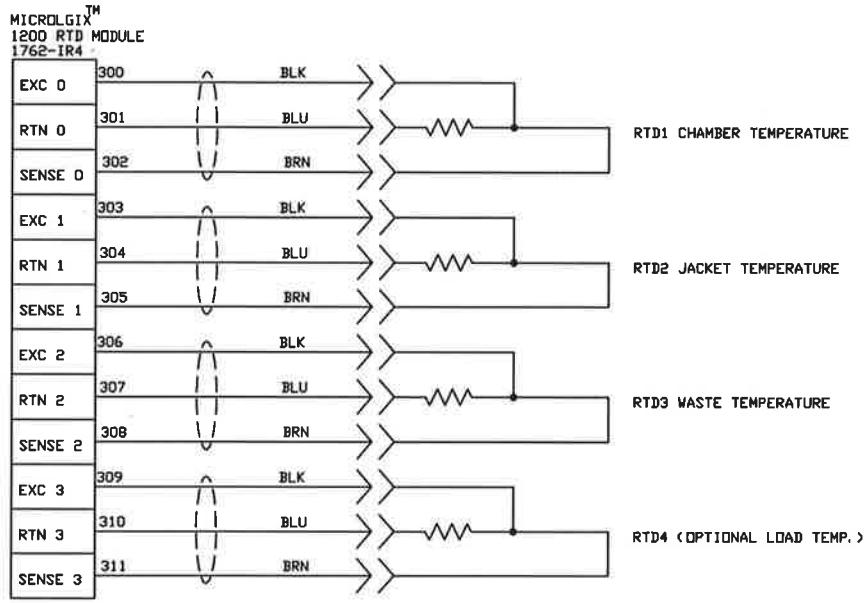
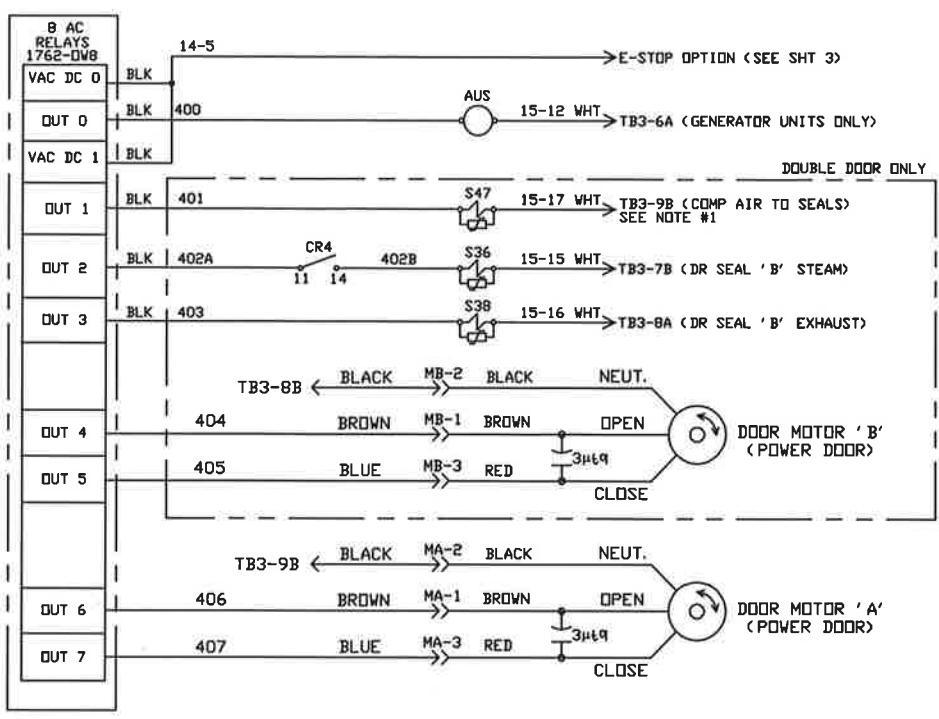
This document contains the confidential and proprietary information of STERIS Corporation. It is not to be distributed, copied, or otherwise used without the express written permission of STERIS Corporation.

DATE	BY	CHK	DATE	BY	CHK	DATE	BY	CHK
09-12-08	JMG		09-15-08	JMG		09-15-08	JMG	

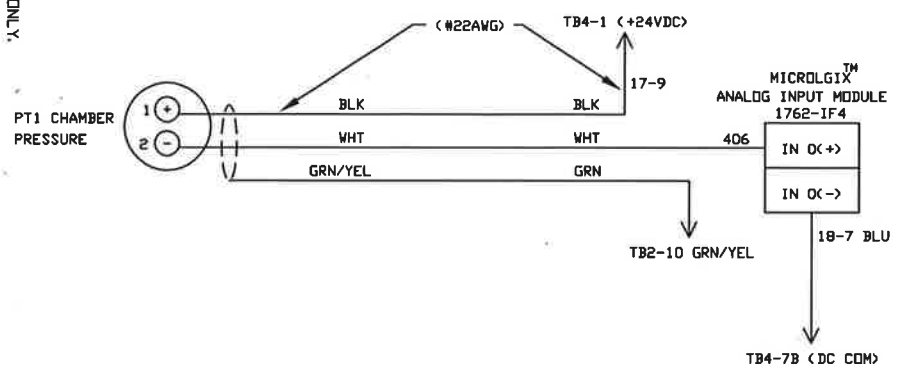
TITLE: MACHINE SCHEMATIC-LAB SERIES
 POWER DOOR, E-STOP, CHAMBER PSI SWITCH
 FIRST MADE FOR: 338525-237

1 SHEET OF 3

QTY	PART NUMBER	TYP	PART NAME	DESCRIPTION, MATERIAL	REV	REVISION DATE
1	338525-237	1	SCHEMATIC		3	07-29-10



NOTE 1) PS3 & S47 DBL DOOR UNITS WITH COMPRESSED AIR TO SEALS ONLY.



TOLERANCE STANDARD: FRACTIONAL +/-1/64 DECIMAL +/- .005
 UNLESS OTHERWISE NOTED: ANGULARITY +/-1° MACH SURF. 125

REV	DATE	EXTENDING	EXTENDING

STERIS
STERIS Corporation
Mentor, OH


TITLE
MACHINE SCHEMATIC-LAB SERIES
POWER DOOR, E-STOP, CHAMBER PSI SWITCH

DATE	BY	CHK	DATE	BY	CHK	DATE	BY	CHK
09-12-08	JMG	COA	09-15-08	JMG	MG	09-15-08	JMG	CA

FIRST MADE FOR: 338525-237 2 SHEET OF 3

QUANTITY	PART NUMBER	ITEM NO	PART NAME	DESCRIPTION, MATERIAL	REV	REVISION
1	338525-237	1	SCHEMATIC		3	07-29-10

TOLERANCE STANDARD	FRACTIONAL +/-1/64	DECIMAL +/--.005
UNLESS OTHERWISE NOTED	ANGULARITY+/-1°	MACH. SURF. 125
DATE	DATE	DATE
DATE	DATE	DATE
DATE	DATE	DATE
DATE	DATE	DATE



STERIS
STERIS Corporation
Mentor, OH

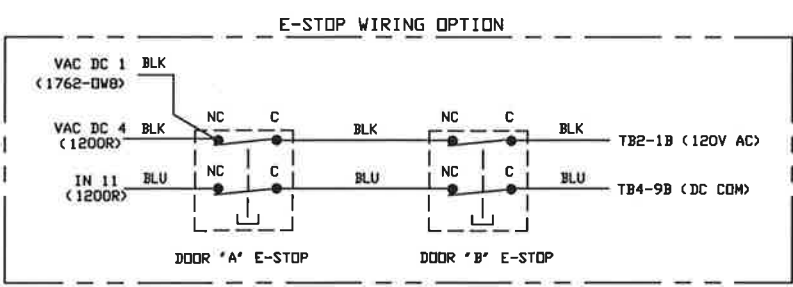
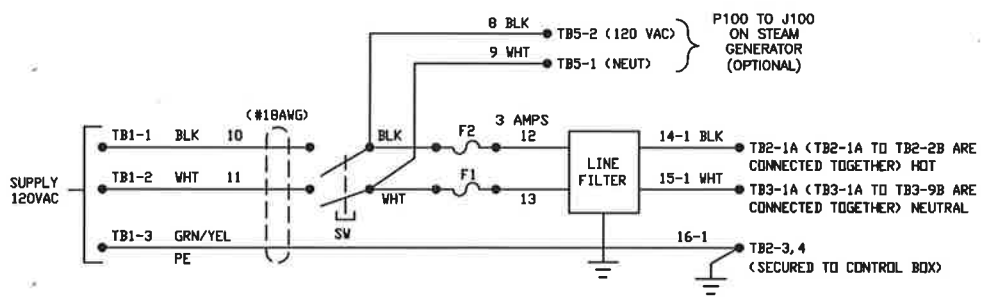
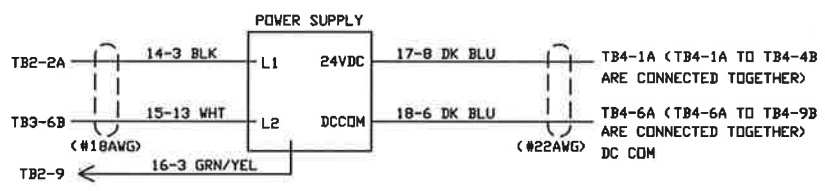
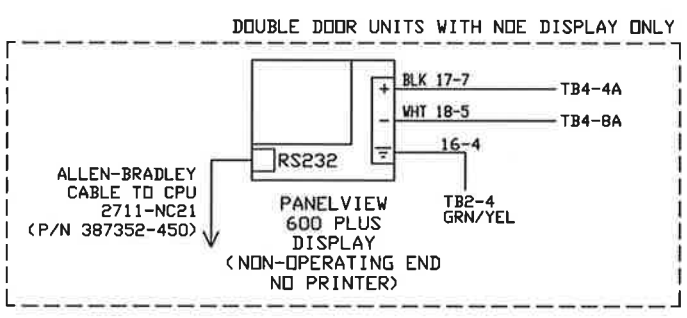
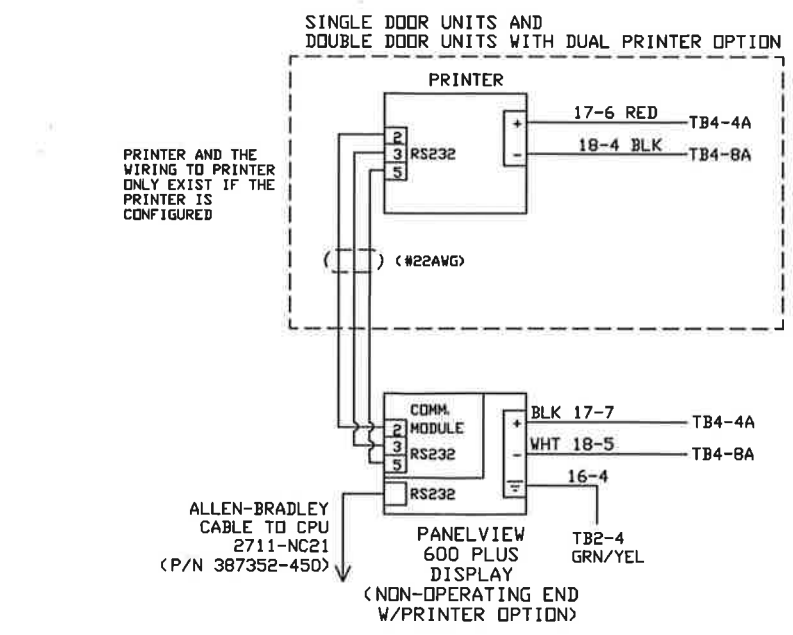
This document contains confidential and proprietary information of STERIS Corporation. It is intended for use only by the individual or organization specifically named in the title. It is not to be reproduced, distributed, or otherwise made available to any other individual or organization without the prior written consent of STERIS Corporation.

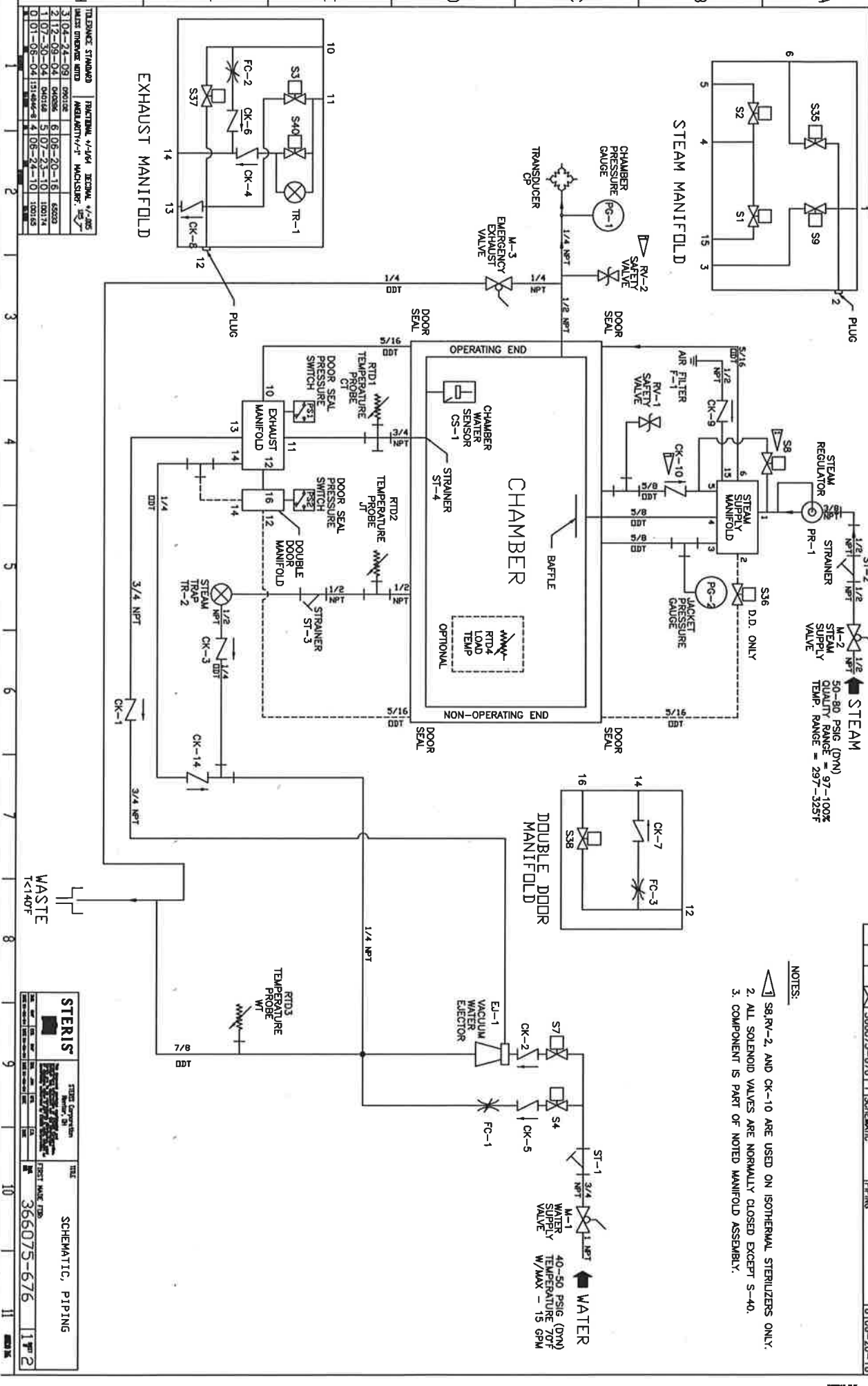
DATE	DATE	DATE	DATE	DATE	DATE	DATE
09-12-08	09-15-08	09-15-08	09-15-08	09-15-08	09-15-08	09-15-08
DATE	DATE	DATE	DATE	DATE	DATE	DATE
DATE	DATE	DATE	DATE	DATE	DATE	DATE
DATE	DATE	DATE	DATE	DATE	DATE	DATE
DATE	DATE	DATE	DATE	DATE	DATE	DATE

TITLE
MACHINE SCHEMATIC-LAB SERIES
POWER DOOR, E-STOP, CHAMBER PSI SWITCH

FIRST MADE FOR:
338525-237

3 SHEET 3





TELEPHONE STANDARD	FUNCTIONALITY	REVISION	DATE
3104-24-08	DESIGN	1	06-20-18
3172-08-04	DESIGN	1	07-25-10
4107-09-04	DESIGN	1	07-25-10
0101-08-04	DESIGN	1	06-24-10

STERIS	STERIS Corporation	TITLE	SCHEMATIC, PIPING
366075-676		DATE	11 21

NOTES:

1. S8 RV-2, AND CK-10 ARE USED ON ISOTHERMAL STERILIZERS ONLY.
2. ALL SOLENOID VALVES ARE NORMALLY CLOSED EXCEPT S-40.
3. COMPONENT IS PART OF NOTED MANIFOLD ASSEMBLY.

I. D.	STERIS P/N	PART NAME	DESCRIPTION	VENDOR INFORMATION
M-1	93918-066	BALL VALVE	3/4 NPT	CONBRACO IND. # PX 3206
M-2	93918-065	BALL VALVE	1/2 NPT	CONBRACO IND. # PX 3205
M-3	93918-212	BALL VALVE	1/4 NPT	CONBRACO IND. # PX 3233
CK-1	150828-444	CHECK VALVE	3/4 NPT	STOCKHAM B-320VC
CK-2	83870-001	CHECK VALVE	3/4 NPT	NIBCO MODEL T-480-Y
CK-3	150828-354	CHECK VALVE	1/2 NPT	NIBCO MODEL T-413-V
CK-4	SEE NOTE 3	CHECK VALVE	1/2 NPT	REFER TO MANIFOLD ASSEMBLY M1-E
CK-5	150829-501	CHECK VALVE	1/4 NPT	ASCO XV012101765E
CK-6	SEE NOTE 3	CHECK VALVE	1/2 NPT	REFER TO MANIFOLD ASSEMBLY M1-E
CK-7	SEE NOTE 3	CHECK VALVE	1/2 NPT	REFER TO MANIFOLD ASSEMBLY M3-2D
CK-8	SEE NOTE 3	CHECK VALVE	1/2 NPT	REFER TO MANIFOLD ASSEMBLY M1-E
CK-9	150828-354	CHECK VALVE	1/2 NPT	NIBCO MODEL T-413-V
CK-10	150828-354	CHECK VALVE	1/2 NPT	NIBCO MODEL T-413-V
CK-14	150829-501	CHECK VALVE	1/4 NPT	ASCO XV012101765E
CS-1	93918-038	WATER SENSOR	1/8 NPT	IND INDUSTRIES INC. CAT #148190
EJ-1	83924-001	EJECTOR	1/2 NPT	SEE STERIS DWG #83924-001
F-1	93909-592	AIR FILTER	1/2 NPT	FINITE FILTER CO. CAT #A00390A
F-1	129360-802	CARTRIDGE	1/2 NPT	FINITE FILTER CO. CAT #6G10-025
FC-1	83523-001	NEEDLE VALVE	1/4 NPT	PARKER 338-9011 DR GENERANT 3004-4-C
FC-2	SEE NOTE 3	FLOW CONTROL	1/2 NPT	REFER TO MANIFOLD ASSEMBLY M1-E
FC-3	SEE NOTE 3	FLOW CONTROL	1/2 NPT	REFER TO MANIFOLD ASSEMBLY M3-DD
M1-E	146657-788	MANIFOLD	EXHAUST	SEE STERIS DWG #146657-788
M3-DD	136809-791	MANIFOLD	DOUBLE DOOR	SEE STERIS DWG #136809-791
M4-S	146657-787	MANIFOLD	STEAM	SEE STERIS DWG #146657-787
PG-1	7872-051	PRESSURE GAUGE	1/8 NPT	SEE STERIS DWG #7872-051
PG-2	7871-051	PRESSURE GAUGE	1/8 NPT	SEE STERIS DWG #7871-051

I. D.	STERIS P/N	PART NAME	DESCRIPTION	VENDOR INFORMATION
PR-1	136809-750	STEAM REGULATOR	3/8 NPT	SEE STERIS DWG #136809-750
PS-1	83865-001	PRESSURE SWITCH (DE)	1/2 NPT	UNITED ELECTRIC CAT. #J41
PS-2	83865-001	PRESSURE SWITCH (NDE)	1/2 NPT	UNITED ELECTRIC CAT. #J41
PT-1	387352-005	PRESSURE TRANSDUCER	1/4 NPT	VICKI MOD# S10
RTD-1	93911-351	TEMPERATURE PROBE	2 WIRE	SEE STERIS DWG 93911-351 CT
RTD-2	93911-351	TEMPERATURE PROBE	2 WIRE	QUANTEM CAT #823-11197-3 JT
RTD-3	93921-381	TEMPERATURE PROBE	2 WIRE	SEE STERIS DWG 93921-381 VT
RTD-4	356356-909	TEMPERATURE PROBE	1/2 NPT	SEE STERIS DWG
RV-1	93918-511	SAFETY VALVE	1/2 NPT	SEE STERIS DWG 93918-511
RV-2	93918-511	SAFETY VALVE	1/2 NPT	SEE STERIS DWG 93918-511
S-1	SEE NOTE 3	SOLENOID VALVE	1/2 NPT	REFER TO MANIFOLD ASSEMBLY M4-S
S-2	SEE NOTE 3	SOLENOID VALVE	1/2 NPT	REFER TO MANIFOLD ASSEMBLY M4-S
S-3	SEE NOTE 3	SOLENOID VALVE	1/2 NPT	REFER TO MANIFOLD ASSEMBLY M1-E
S-4	93910-479	SOLENOID VALVE	1/4 NPT	ASCO CAT. NO. HV-256-665-1
S-5	93911-328	SOLENOID VALVE	3/4 NPT	ASCO CAT. NO. HV-256-667-2
S-6	93910-479	SOLENOID VALVE	1/4 NPT	ASCO CAT. NO. HV-256-665-1
S-9	SEE NOTE 3	SOLENOID VALVE	1/2 NPT	REFER TO MANIFOLD ASSEMBLY M4-S
S-35	SEE NOTE 3	SOLENOID VALVE	1/2 NPT	REFER TO MANIFOLD ASSEMBLY M4-S
S-36	93911-986	SOLENOID VALVE	1/2 NPT	ASCO CAT. NO. HV264-873-1
S-37	SEE NOTE 3	SOLENOID VALVE	1/2 NPT	REFER TO MANIFOLD ASSEMBLY M1-E
S-38	SEE NOTE 3	SOLENOID VALVE	1/2 NPT	REFER TO MANIFOLD ASSEMBLY M3-DD
S-40	SEE NOTE 3	SOLENOID VALVE (N.D.)	1/2 NPT	REFER TO MANIFOLD ASSEMBLY M1-E
ST-1	47708-091	STRAINER	3/4 NPT	SEE STERIS DWG 47708-091
ST-2	150828-459	STRAINER	1/2 NPT	SEE STERIS DWG 150828-459
ST-3	150828-459	STRAINER	1/2 NPT	SEE STERIS DWG 150828-459
ST-4	93918-035	STRAINER	1/2 NPT	SEE STERIS DWG 93918-035
TR-1	SEE NOTE 3	STEAM TRAP	1/2 NPT	REFER TO MANIFOLD ASSEMBLY M1-E
TR-2	129222-001	STEAM TRAP	1/2 NPT	NICHOLSON PART NO 595721
V	146660-109	WASTE FUNNEL	1/2 NPT	SEE STERIS DWG 146660-109

TOLERANCE STANDARD		FUNCTION V-V164		REVISION V-105	
UNLESS OTHERWISE NOTED		MANUFACTURER'S		MACH. SHOP	
1		2		3	
4		5		6	
7		8		9	
10		11		12	

STERIS

STERIS Corporation
New, IN

TITLE: SCHEMATIC, PIPING

366075-676